

40068	LED CONVERTER IN-TRACK 48V 100W (DALI THROUGH WIRE) IP20 BLACK
40069	LED CONVERTER IN-TRACK 48V 100W (DALI THROUGH WIRE) IP20 WHITE

**Specifications:**

Category	Item	Technical Norm
Features	Output Type	Constant Voltage
	Output Feature	Isolation
	Insulation Class	Class II
	IP Grade	IP20
Input	Rated Input Voltage	220-240VAC
	Range of Input Voltage	176-264VAC
	Frequency	50/60Hz
	Input Current	≤0.6A (198VAC, full load)
	Input Power	≤115W (230VAC, full load)
	Power Factor	≥0.95 (230VAC, full load)
	THD	≤15% (230VAC, full load)
	Standby Power Consumption	≤0.5W @230VAC
	Inrush Current	≤60A/200us (230VAC, full-load)
	Connected quantity of 16A Breaker:	16pcs/type B ; 26pcs/type C
Output	Output Voltage	48VDC ±3%
	No Load Voltage	48VDC ±3%
	Output Current	0 -2.1A
	Rated Output Power	100.8W
	Efficiency	≥90% (230VAC, full load)
	Started Delay Time	≤0.5S (220-240VAC)
Protection	Output Ripple Voltage	<1% (220-240VAC, full load)
	Short Circuit Protection	Auto Recovery
	Over Current Protection	110%~200%Io, Auto Recovery
	No-load Protection	<50V, Auto Recovery
	Insulation voltage	3.75KV/5mA/60S Primary to Secondary
Insulation resistance	>100M ohm @ 500VDC	

Environment	Leakage current	I/P to O/P < 250 µA
	Ta/Operation Temperature	-25...+40°C
	Ts/Storage Temperature	-40...+85°C
	Tc/Enclosure Temperature	<85°C
	Humidity	5%...85%RH
Construction	Atmosphere	86-108KPa
	Connection Method	Direct Lead
	Installation	Built-in
	PRI Wire preparation	0.75mm <sup>2</sup> *2, blue/brown+0.3mm <sup>2</sup> *2, Black/Yellow
	SEC Wire preparation	NA
Standards	Dimension	297.5X16X19mm (L*W*H)
	Certification	TUV
	Safety Standards	EN61347-1:2015, EN61347-2-13:2014/A1:2017, EN62493:2015, GB19510.1, GB19510.14
	EMC Standards	EN55015:2013/A1:2015, EN61000-3-2:2014, EN61000-3-3:2013, EN61547:2009, GB 17743, GB 17625.1
	Performance	EN62384
Others	Surge	L-N/2KV
	Colour	White/Black
	RoHS	Conform to RoHS
	Life Time	50000h @40°C (Ta)
Warranty	5years F.R. <10000ppm	

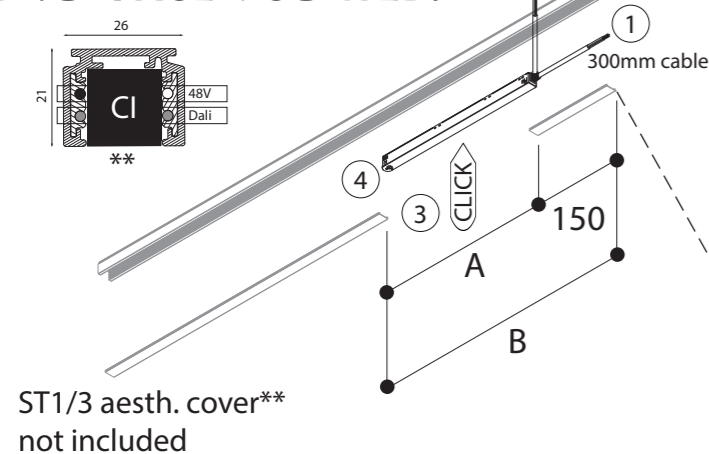
**Remark**

- All Parameters, if not specified, are measured at 230VAC/50Hz and 25°C ambient temperature.
- LED Driver is a component of the luminaires, Luminaires and wire layout will affect the EMC, please check the EMC with end products again.
- Safety warnings for products and installation  
 KGP recommends the usage of an opto-insulated repeater dali compatible different modes:  
 - 2 different power supplier (2 circuits, 0-60V dc)  
 - 1 circuit for 60V dc and 1 circuit for Data B

**COMPATIBLE WITH:**

- ⚠ No live end (TR4747/4757/4726/4736) is needed,**
- for connection in the track48V profile (close with aesth. cover\*\* not included) => A = 330mm
  - or for connection in accessible hollow ceilings (drill hole dia8mm) => B = 450mm

**ST1 SURFACE MOUNTED:**



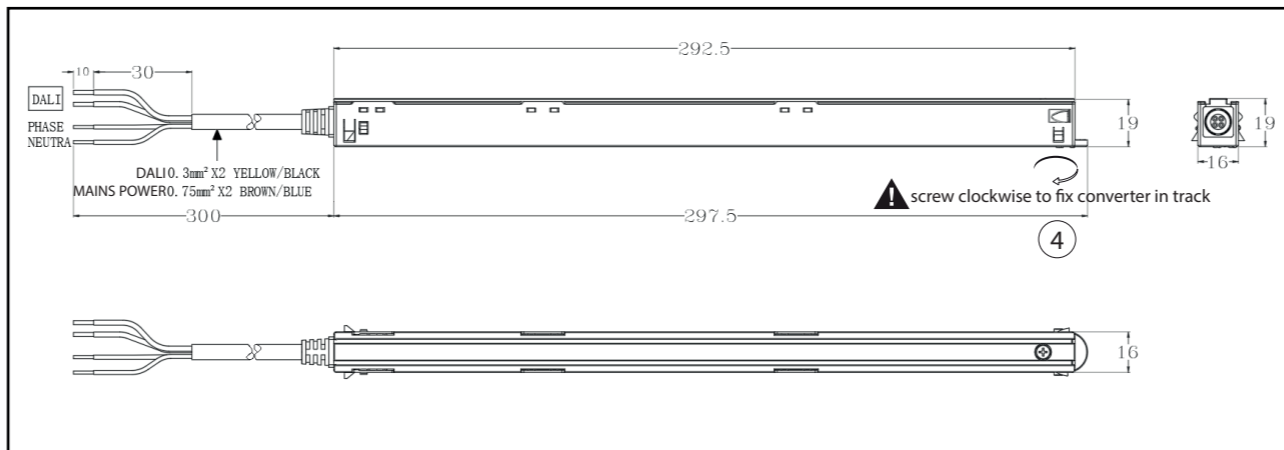
220-240V AC D1- yellow D2+ black

2 extra leads for DALI through wiring for use with dali luminaires only

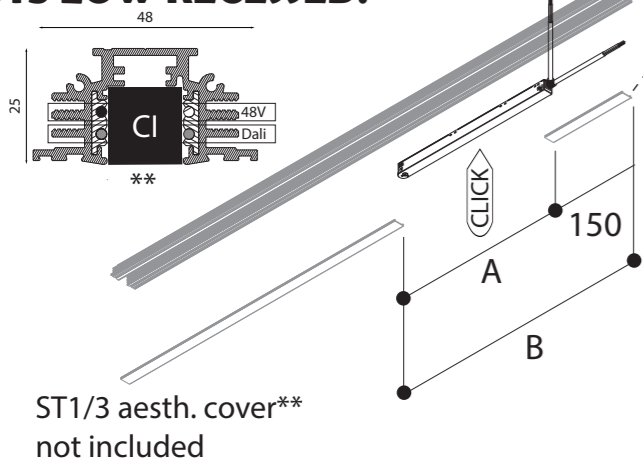
Incl. 4 WAGO connectors can contain solid conductors 0.75-4mm<sup>2</sup> and stranded conductors 1.5-4mm<sup>2</sup>

sleeve included for class 2 protection

TR6832	TRACK 48V ST1&3 - AESTHETIC COVER 150MM BLACK
TR6852	TRACK 48V ST1&3 - AESTHETIC COVER 150MM WHITE

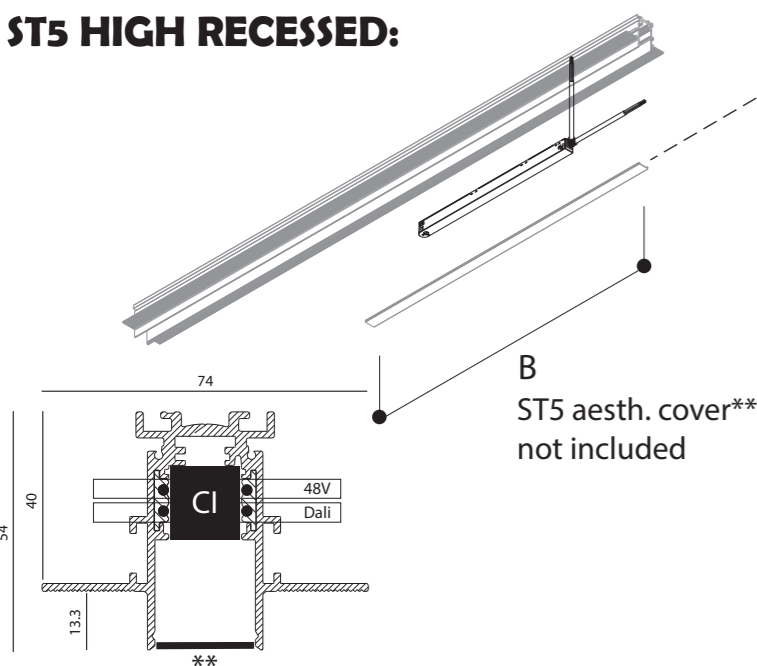


**ST3 LOW RECESSED:**



TR6847	TRACK 48V TRIMLESS ST5 - AESTHETIC COVER 1500MM WHITE
TR6849	TRACK 48V TRIMLESS ST5 - AESTHETIC COVER 3000MM WHITE
TR6826	TRACK 48V TRIMLESS ST5 - AESTHETIC COVER 1500MM BLACK
TR6828	TRACK 48V TRIMLESS ST5 - AESTHETIC COVER 3000MM BLACK

**ST5 HIGH RECESSED:**



**QTY of luminaires/converter:**

ARTNR	CONVERTER DESCRIPTION:	OUTPUT VOLTAGE (V)	V nominal (V):			
			48	48	48	48
			P nominal (W):			
			6,12 (led3,82)	12,24 (led7,64)	10,97 (led7,84)	21,95 (led15,68)
			amount of luminaires type Thinksmall single on track48	amount of luminaires type Thinksmall double on track48	amount of luminaires type Habled single on track48	amount of luminaires type Habled double on track48
40068	LED CONVERTER IN-TRACK 48V 100W (DALI THROUGH WIRE) IP20 BLACK	48	14	7	8	4
40069	LED CONVERTER IN-TRACK 48V 100W (DALI THROUGH WIRE) IP20 WHITE	48	14	7	8	4

**⚠ ALWAYS DISCONNECT MAINS POWER SUPPLY FROM CONVERTER BEFORE SWITCHING "ON" LED LUMINAIRES TO PREVENT HOT PLUGGING ISSUES!**